



Fire Damper

Type XDMy-UL





General Information	2	Order Code	4
Installation	3	Specification Text	5

General Information

Description

The TROX Damper Malaysia XDMy-UL is UL555 listed to have a piece of mind fire damper certified to an international standard. The damper is tested for vertical installation and for 90 minutes. The UL reference number is R27471.

Constructions

The XDMy-UL is available in galvanized steel and in various stainless-steel options. The side seal is always in stainless steel. We have a 24V and 230V spring return actuator with limit switches options available. The wall thickness is min 100mm. Min damper size is 200 x 250mm (8 x 10inch) up to 1000 x 1000mm (40x40inch).

Nominal sizes for maximum free area and actuator torque

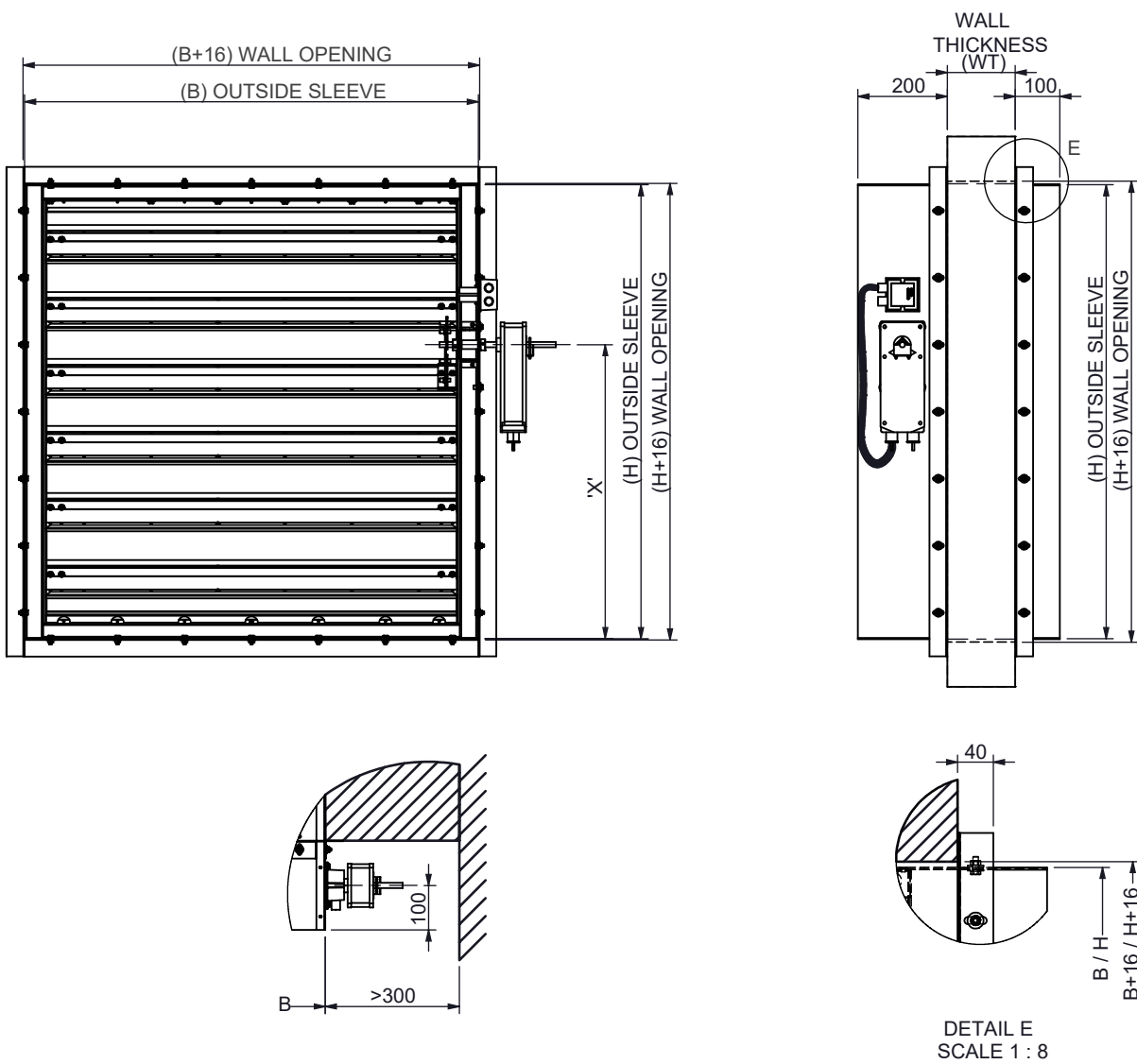
H/W (mm)	200	250	300	350	400	450	500	600	700	800	900	1000
250	8Nm	8Nm	8Nm	8Nm	8Nm	8Nm	8Nm	20Nm	20Nm	20Nm	20Nm	20Nm
400	8Nm	8Nm	8Nm	8Nm	8Nm	8Nm	8Nm	20Nm	20Nm	20Nm	20Nm	20Nm
550	20Nm	20Nm	20Nm	20Nm	20Nm	20Nm	20Nm	20Nm	20Nm	20Nm	20Nm	20Nm
700	20Nm	20Nm	20Nm	20Nm	20Nm	20Nm	20Nm	20Nm	20Nm	20Nm	20Nm	20Nm
850	20Nm	20Nm	20Nm	20Nm	20Nm	20Nm	20Nm	20Nm	20Nm	20Nm	20Nm	20Nm
1000	20Nm	20Nm	20Nm	20Nm	20Nm	20Nm	20Nm	20Nm	20Nm	20Nm	20Nm	20Nm

Maximum damper size for 8 Nm is 530 x 530 (21x21inch)



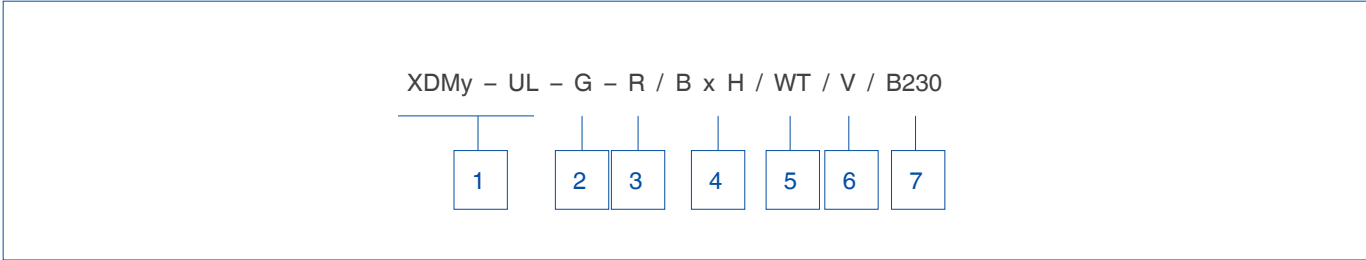
Installation

H	No. of blade	X
250	1	155
400	2	200
550	3	350
700	4	350
850	5	500
1016	6	658





Order Code



- | | | | |
|----------|---|----------|---|
| 1 | <p>Type
XDMy-UL</p> | 5 | <p>Wall thickness
Min 100mm
Max 300mm
Please indicate your wall thickness</p> |
| 2 | <p>Material
G Galvanized steel
SS304L Stainless steel 304L
SS316 Stainless steel 316
SS316L Stainless steel 316L</p> | 6 | <p>Installation orientation
V Vertical</p> |
| 3 | <p>Orientation of actuator
R Right
L Left</p> | 7 | <p>Accessories
B230 230V Spring return actuator incl. limit switches
B24 24V Spring return actuator incl. limit switches</p> |
| 4 | <p>Nominal dimensions
Min 200 x 250 mm
Max 1000 x 1000 mm
Intermediate sizes in
min 10 mm steps possible</p> | | |



Specification Text

The fire damper XDMy-UL is designed for fire insulation in sections of ducting in a typical mechanical ventilation system. Generally, this damper consists of sleeve casing and shut-off blades with overlapping interlocking joints as a standard construction. The blades are connected by concealed linkage for parallel blade operation. This damper has been independently tested to UL555 for 90 minutes.

Materials

G	Galvanized steel
SS304L	Stainless steel 304L
SS316	Stainless steel 316
SS316L	Stainless steel 316L

Variant

G	Galvanized steel
R	External controls location: Right hand side
1000	Width: 1000mm
1000	Height: 1000mm
V	For vertical installation
B230	Accessories: spring return actuator 230V with limit switches

Manufacture of the planning:

Brand	: TROX
Type	: XDMy – UL – G – R / 1000 x 1000 / 100 / V / B230